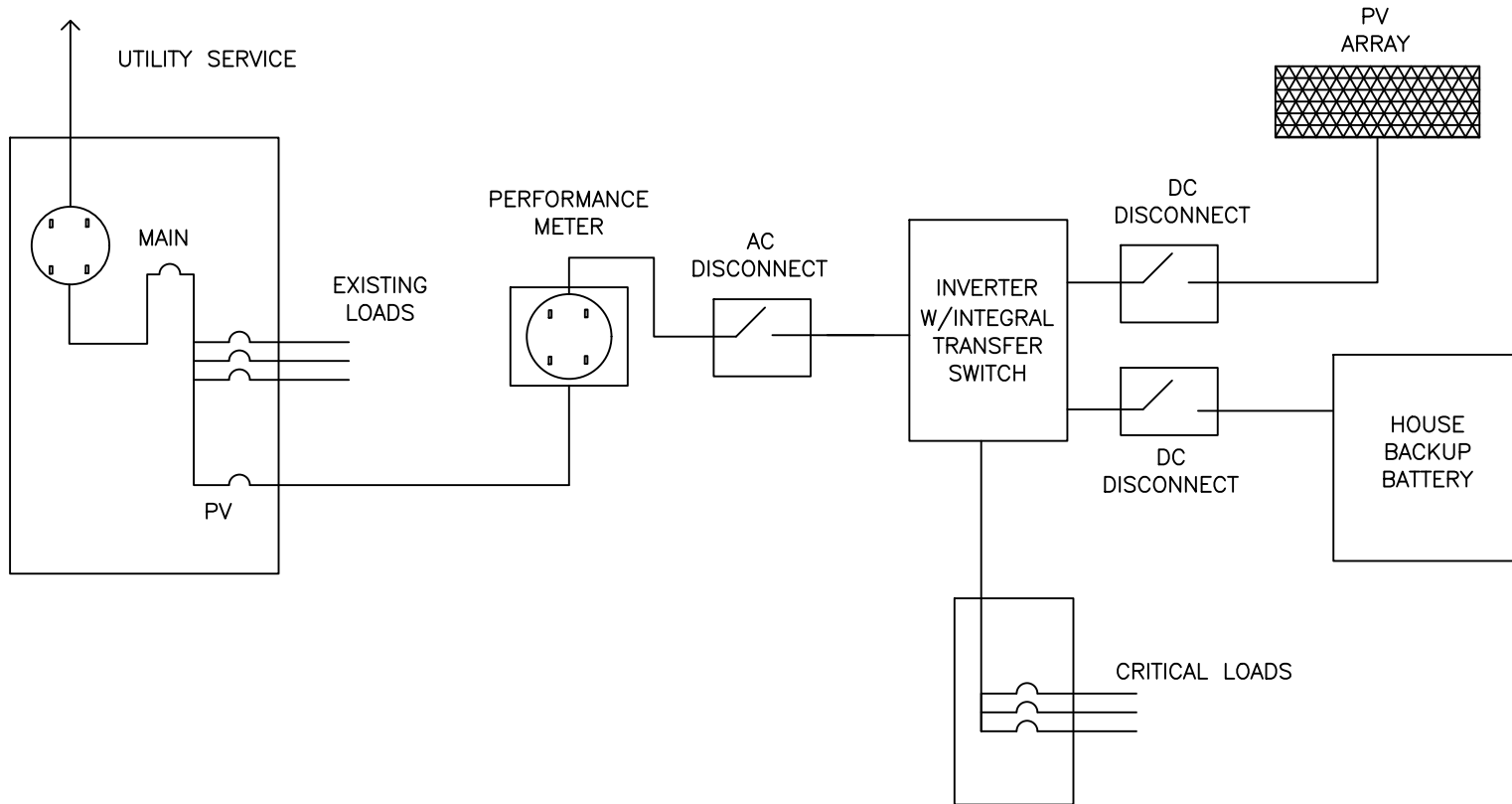


**NOTES:**

1. ALL INSTALLATIONS REQUIRE PRE-APPROVAL BY BWP. TO OBTAIN PRE-APPROVAL SUBMIT A SINGLE LINE DIAGRAM ALONG WITH A FULL SET OF PLANS TO BWP.
2. ALL DISCONNECTS MUST BE LOCKABLE IN THE OPEN POSITION WITH VISIBLE OPEN, HAVE NO ADDITIONAL ATTACHMENTS, EXTERIOR ACCESSIBLE AND OPERABLE FROM THE GROUND, AND SAFELY ACCESSIBLE TO BWP PERSONNEL AT ALL TIMES.



No.	REVISIONS	BY	APPR'V'D	DATE
B	STANDARDIZED FORMATTING, OMIT ARRAY	MEP	CJC	5/9/23
A	MODIFIED NOTES, ADD ATS REQUIREMENT	MT	RS	7/19/18



**BURBANK WATER AND POWER – ELECTRIC SERVICES**

<p>SINGLE LINE DIAGRAM FOR SOLAR PV WITH DC CONNECTED BATTERY</p>	DRAWING No.
	<b>S-813B</b>
	Sheet 1 of 1